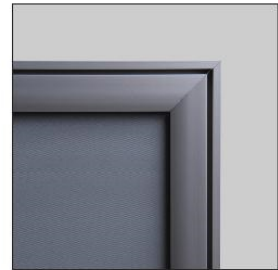


PRODUCT SHEET

Snapframe COMPASSO®

POSTER FRAMES > SNAP FRAMES



Design Snapframe COMPASSO®

Designer snap frame with 37mm wide profile. The frame boasts a sleek architectural design which accentuates the poster perfectly. Also available in a weather resistant finish with an anti glare poster envelope (WR).

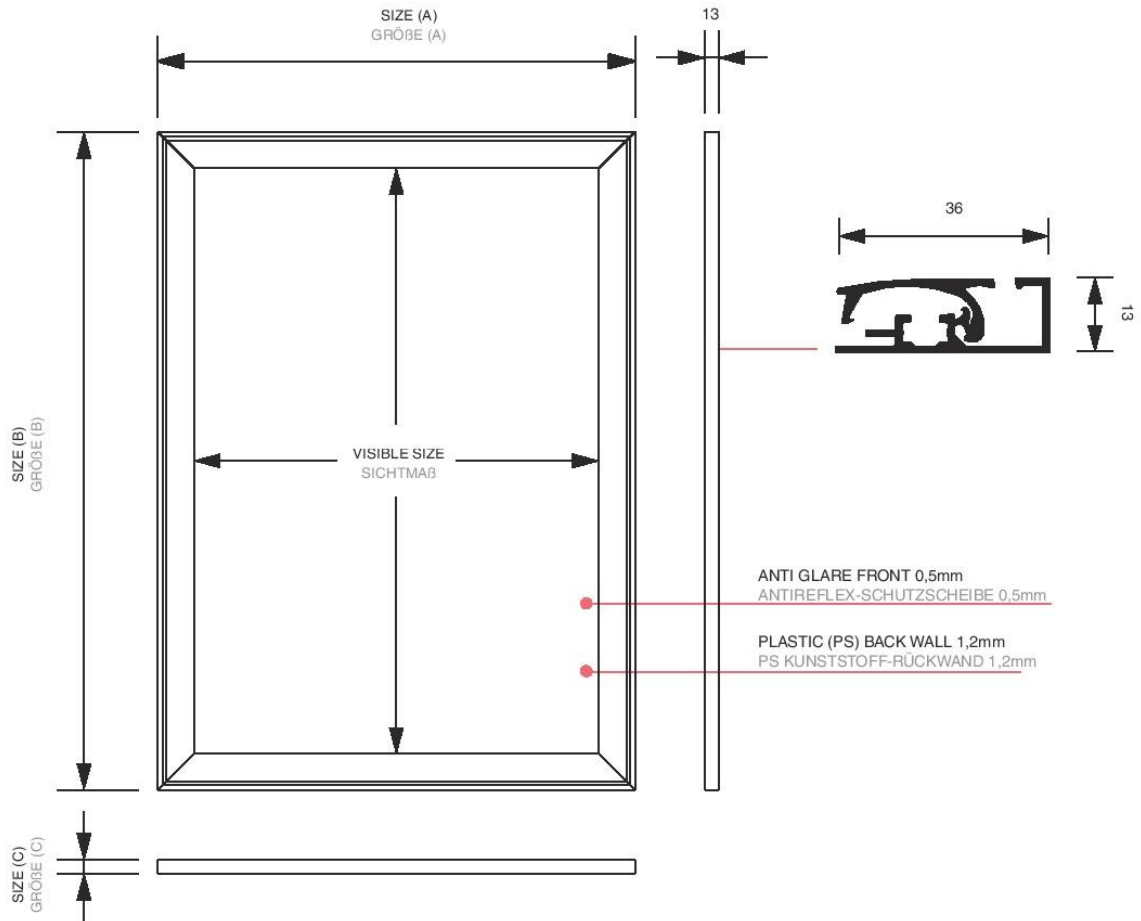
Design Klapprahmen COMPASSO®

Design-Klapprahmen mit neuartigem Profilaufbau. Der Rahmen besticht durch seine architektonische Klarheit und bringt das Motiv optimal zur Geltung. Auch in wetterfester Ausführung (WR) mit Postertasche lieferbar.

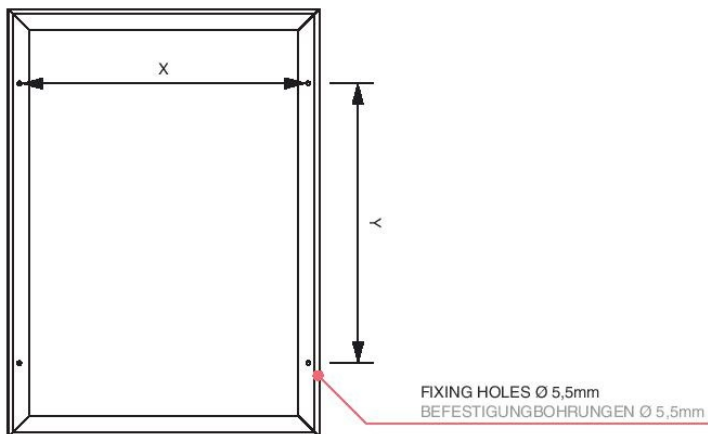
PRODUCT SHEET

Snapframe COMPASSO®

POSTER FRAMES > SNAP FRAMES



BACKVIEW RÜCKANSICHT



ACCESSORIES ZUBEHÖR



PRODUCT SHEET

Snapframe COMPASSO®

POSTER FRAMES > SNAP FRAMES

ARTICLE CODE	EAN / GTIN	POSTER SIZE	VISIBLE SIZE	SIZE (A x B x C)	NET WEIGHT	HOLES PITCH (X x Y)
ARTIKELNUMMER	EAN / GTIN	PLAKATFORMAT	SICHTMAß	GRÖßE (A x B x C)	NETTO GEWICHT	TONNHÖHE (X x Y)
KRA4G37	8595578301717	210 x 297 mm (A4)	192 x 279 mm	264 x 351 x 13 mm	0,71 kg	222 x 145 mm
KRA3G37	8595578301724	297 x 420 mm (A3)	279 x 402 mm	351 x 474 x 13 mm	0,99 kg	309 x 260mm
KRA2G37	8595578301731	420 x 594 mm (A2)	402 x 576 mm	474 x 648 x 13 mm	1,47 kg	432 x 362 mm
KRA1G37	8595578301748	594 x 841 mm (A1)	576 x 823 mm	648 x 895 x 13 mm	2,27 kg	606 x 609 mm
KRA0G37	8595578301755	841 x 1189 mm (A0)	823 x 1171 mm	895 x 1243 x 13 mm	3,64 kg	853 x 957 mm
KR50x70G37	8595578301762	500 x 700 mm	482 x 682 mm	554 x 754 x 13 mm	1,83 kg	512 x 468 mm
KR70x100G37	8595578301779	700 x 1000 mm	682 x 982 mm	754 x 1054 x 13 mm	2,89 kg	712 x 768 mm
KR508x762G37	8595578374490	20" x 30"	490 x 744 mm	562 x 816 x 13 mm	1,93 kg	520 x 530 mm
KR762x1016G37	8595578374506	30" x 40"	744 x 998 mm	816 x 1070 x 13 mm	3,06 kg	774 x 784 mm

ARTICLE CODE	PACKING SIZE	PACKING WEIGHT	PCS / PALLET	WEIGHT OF PALLET	VOLUMETRIC WEIGHT	BELT SIZE	SHIPPING
ARTIKELNUMMER	PACKUNGS-GRÖßE	PACKUNGS-GEWICHT	STÜCK / PALETTE	PALETTE-GEWICHT	VOLUMEN-GEWICHT	GÜRTEL	VERSANDART
KRA4G37	285 x 372 x 30 mm	1,07 kg	312	354 kg	0,64 kg	1002 mm	UPS
KRA3G37	372 x 495 x 30 mm	1,47 kg	176	279 kg	1,10 kg	1299 mm	UPS
KRA2G37	495 x 669 x 30 mm	2,16 kg	131	303 kg	1,99 kg	1719 mm	UPS
KRA1G37	669 x 916 x 30 mm	3,26 kg	66	236 kg	3,68 kg	2314 mm	UPS
KRA0G37	916 x 1264 x 30 mm	5,23 kg	21	130 kg	6,95 kg	3156 mm	TOF
KR50x70G37	575 x 775 x 30 mm	2,66 kg	100	286 kg	2,67 kg	1985 mm	UPS
KR70x100G37	775 x 1075 x 30 mm	4,28 kg	25	127 kg	5,00 kg	2685 mm	TOF
KR508x762G37	588 x 838 x 30 mm	2,76 kg	0	0 kg	2,96 kg	2074 mm	UPS
KR762x1016G37	838 x 1093 x 30 mm	4,84 kg	0	0 kg	5,50 kg	2829 mm	UPS

ARTICLE CODE	EAN / GTIN
ARTIKELNUMMER	EAN / GTIN
KRA4G37WR 	8595578301830
KRA3G37WR 	8595578301847
KRA2G37WR 	8595578301854
KRA1G37WR 	8595578301861
KRA0G37WR 	8595578301878
KR50x70G37WR 	8595578301885
KR70x100G37WR 	8595578301892
KR508x762G37WR 	8596052005367
KR762x1016G37WR 	8596052005374



 **Weather Resistant Poster Bag**
Wetterfeste Postertasche